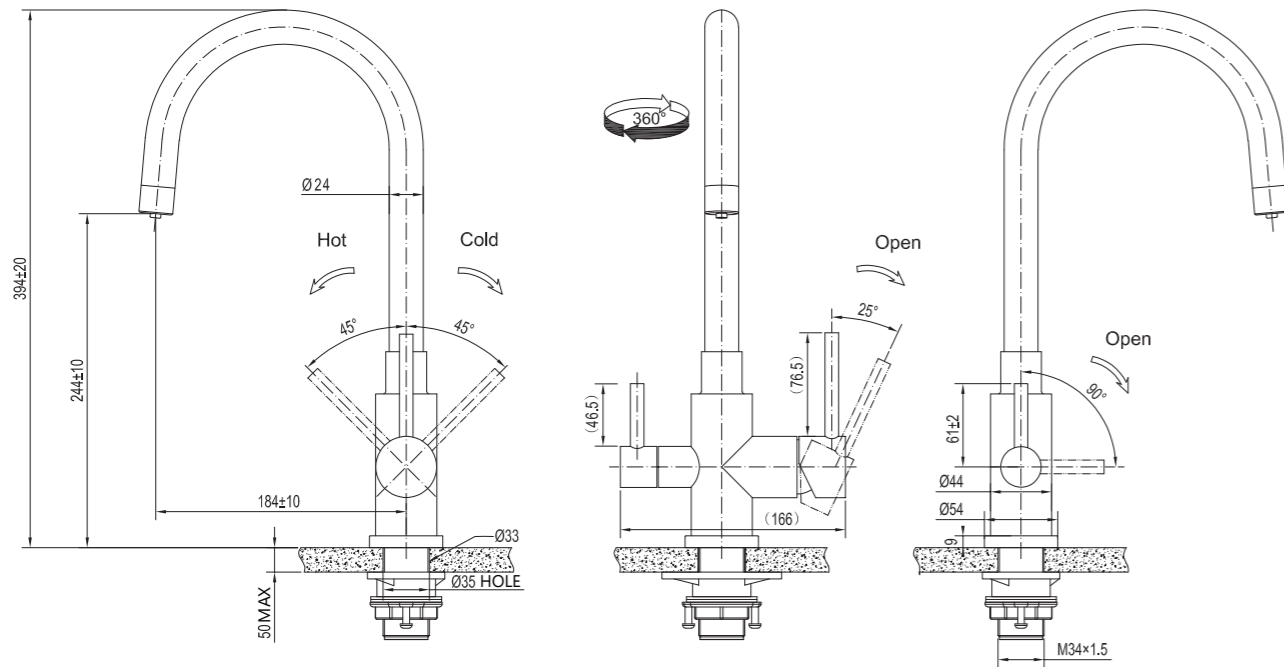




ELYSIAN COMMERCIAL 3 WAY MIXER TAP WITH FILTER



Note: Dimensions are nominal measurements only



SPECIFICATIONS

RECOMMENDED USE

Domestic, Commercial

MATERIAL

304 Stainless Steel

PRESSURE RATING

Recommended minimum working pressure 150kPa
Recommended maximum working pressure 500kPa
Hot and cold water inlet pressure should be equal

TEMPERATURE RATING

Maximum continuous working temperature 75°C
If the water temperature exceeds 75°C, an approved tempering valve must be fitted

SUITABLE HOT WATER UNITS

Storage tank: Yes
Continuous Flow: Yes
Gravity Feed: Not suitable

STANDARDS

WELS Star Rating(6 Star) – Nominal Flow Rate(4.5 L/M)
Registration No.(T36583)

WARRANTY

Structure: 25 years | Finish: 5 years | Cartridge: 10 years

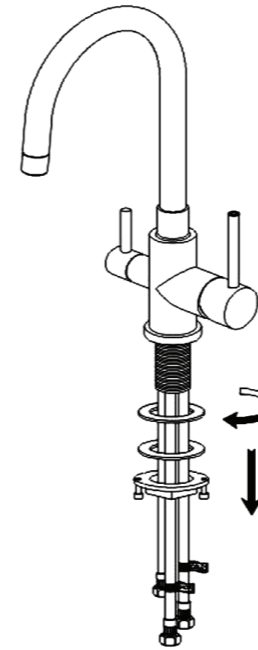
NOTE: PRODUCT DOES NOT INCLUDE FILTER OR FILTER CONNECTION FITTINGS.

Disclaimer: Products in this specification manual must by regulation be installed by licensed and registered trade people. The manufacturer/distributor reserves the right to vary specifications or delete models from their range without prior notification. Dimensions are nominal measurements only. Dimensions and set-outs listed are correct at time of publication however the manufacturer/distributor takes no responsibility for printing errors. All ABI Products are designed in Australia. Copyright ABI Interiors Pty Ltd 2021.

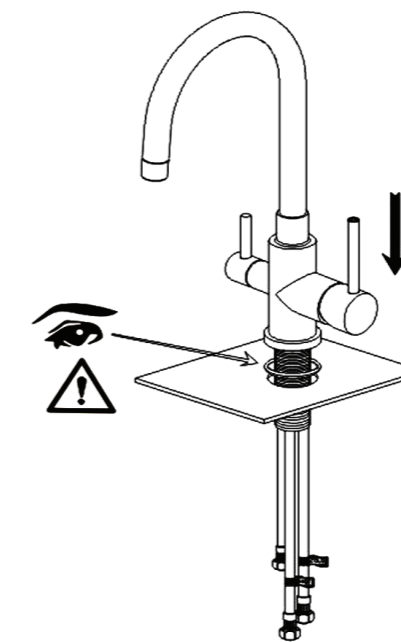
INSTALLATION GUIDE

Note: This product must be installed by a licensed tradesperson.
This is a general installation guide - there are many factors that are involved that can alter the installation method.

1

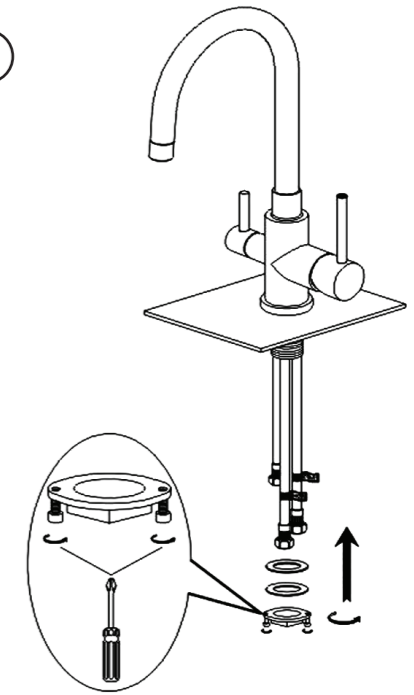


2



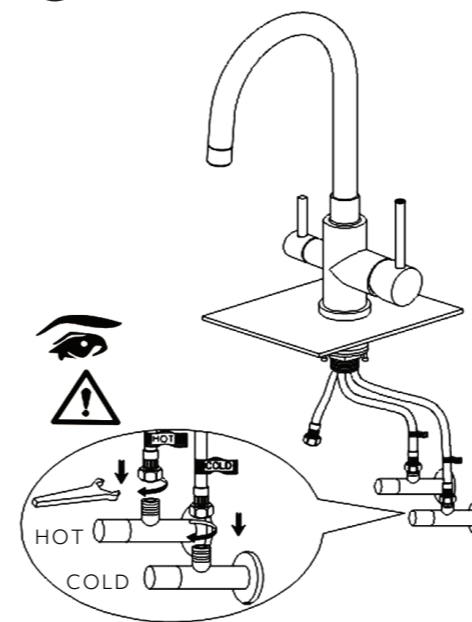
Please note the position of the rubber ring, ensuring that it is recessed into tap base.

3



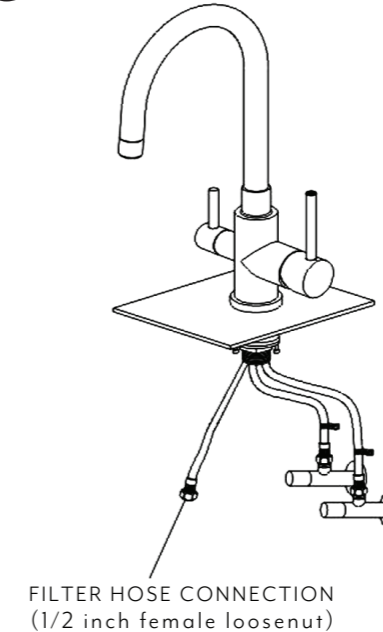
Pull the shower hose to this position

4



Insert hoses according to their colours

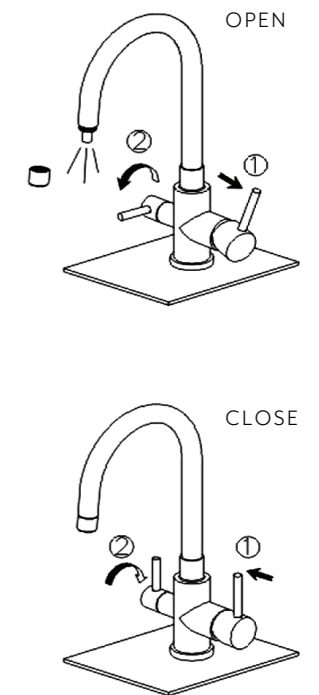
5



FILTER HOSE CONNECTION
(1/2 inch female loosenut)

Connect cold line associated with filter handle to filter hose connection

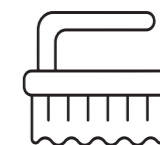
6



Regularly clean with mild liquid detergent or soap and water



DO NOT use cream cleaners or bleach. These substances are abrasive



DO NOT use cleaning pads with abrasive surfaces as this may scratch the material